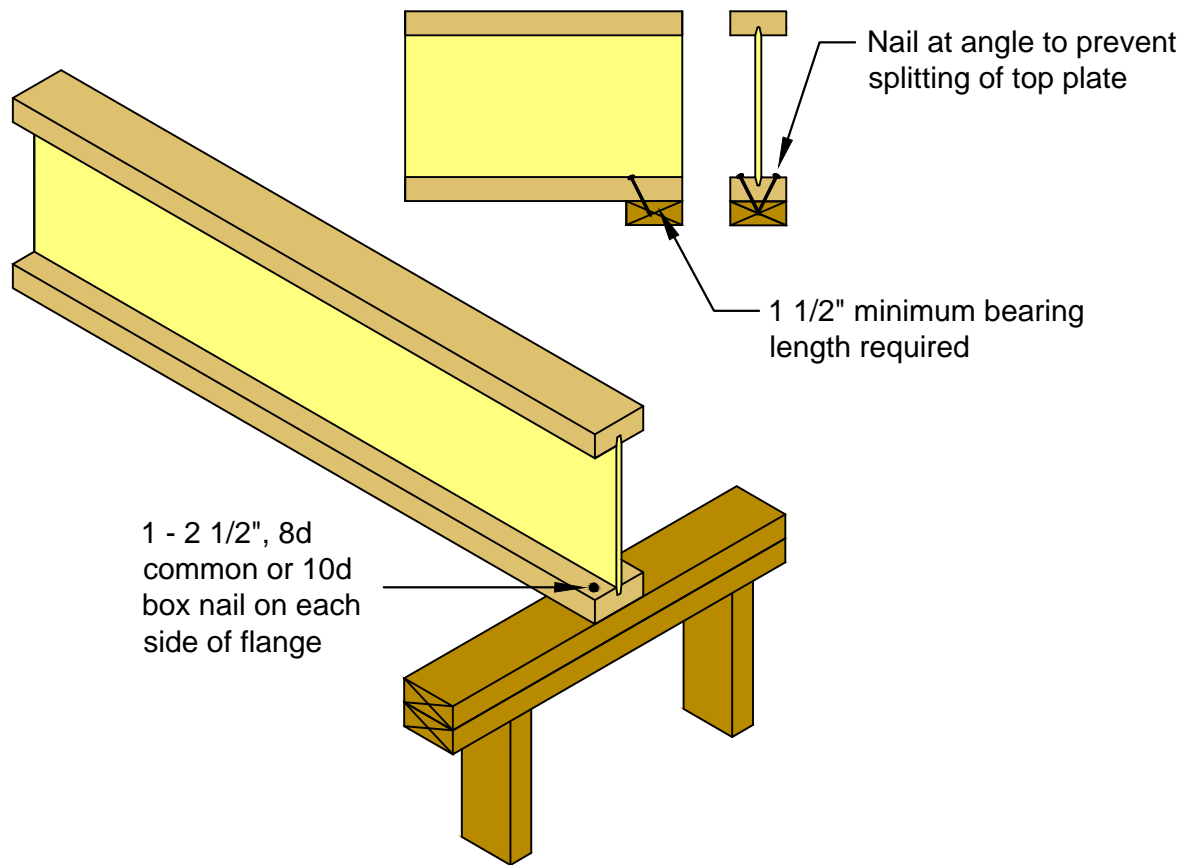


## NAILING TO PLATE



Toe nailing to ensure min. 1" penetration per member

FLOOR INSTALLATION DETAILS

Date: 04/10/15

Scale: NTS

Drawn by: NJM

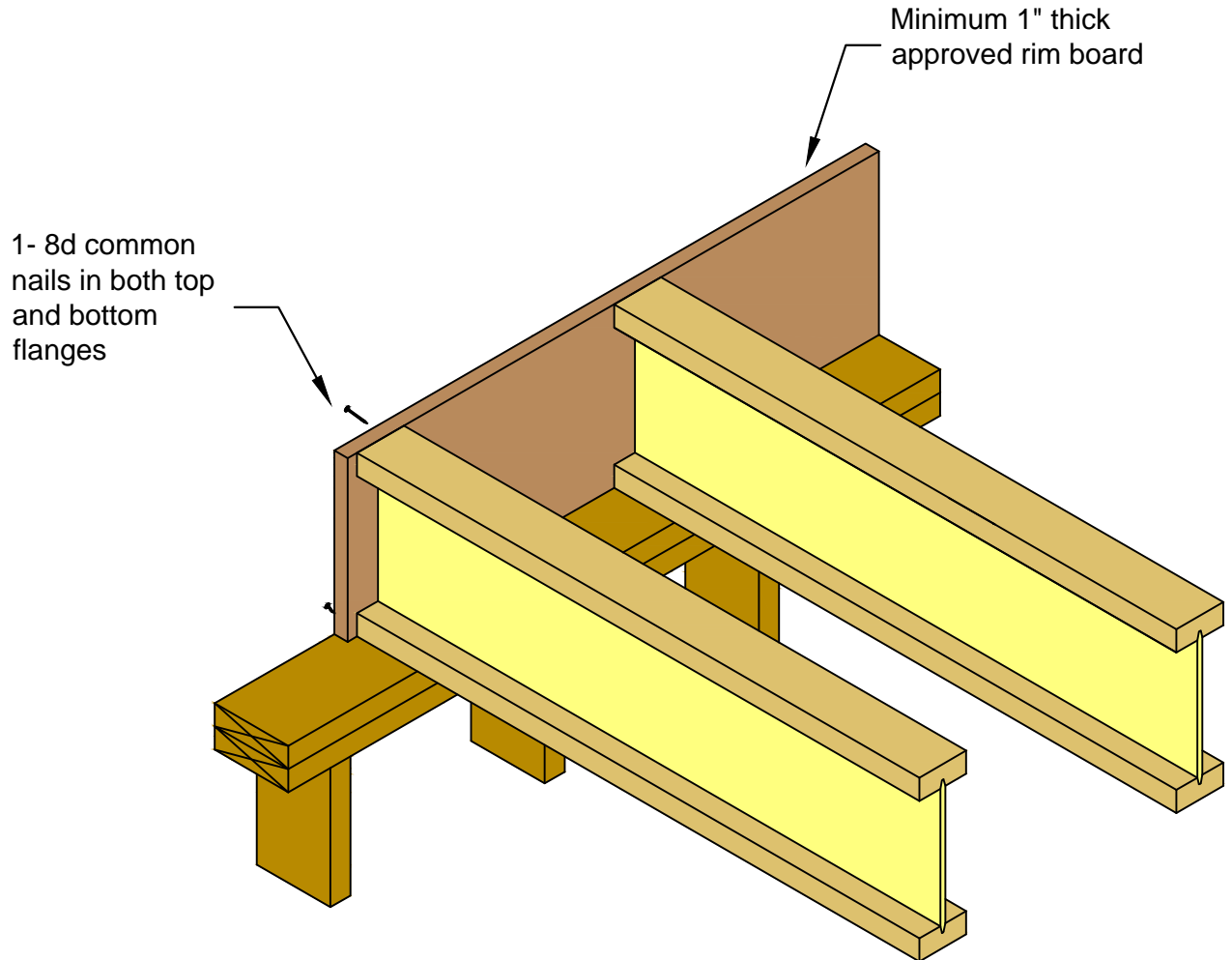
NASCOR

Box 11401, Station H, Nepean, ON K2H 7V1

Phone: 1.800.668.2365

Fax: 613.838.3714

## PERPENDICULAR RIMBOARD



Check with local building codes for any variance.

Toe-nail rim board to bearing using 8d (box or common) nails at 6" o/c, or as per local building code.

FLOOR INSTALLATION DETAILS

Date: 04/10/15

Scale: NTS

Drawn by: NJM

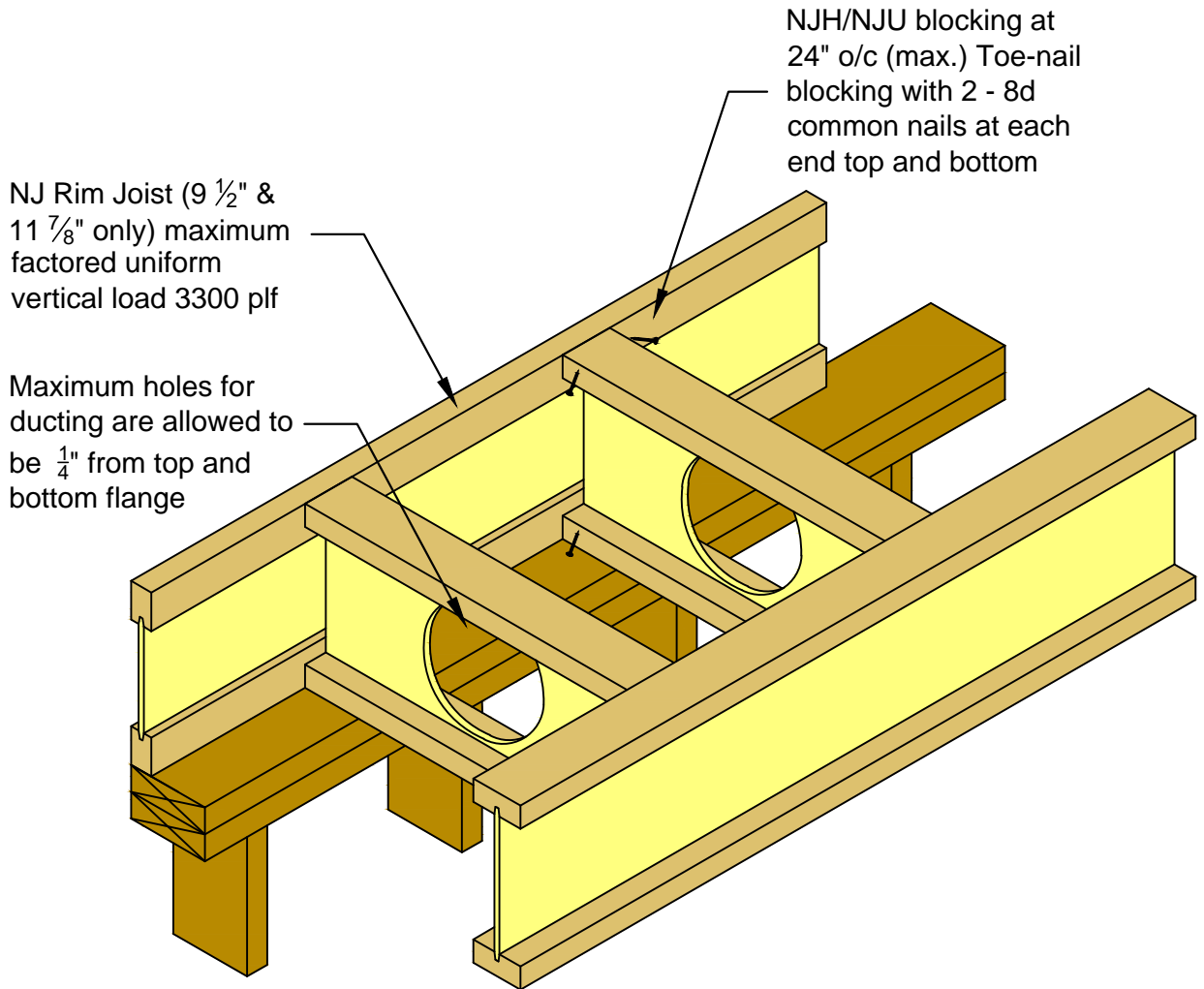
NASCOR

Box 11401, Station H, Nepean, ON K2H 7V1

Phone: 1.800.668.2365

Fax: 613.838.3714

**JOIST USED AS RIM (PARALLEL)**



NJ Rim Joist (9 1/2" & 11 7/8" only) maximum factored uniform vertical load 3300 plf

Maximum holes for ducting are allowed to be 1/4" from top and bottom flange

NJH/NJU blocking at 24" o/c (max.) Toe-nail blocking with 2 - 8d common nails at each end top and bottom

Toe-nail rim joist to bearing using 8d common nails at 6" o/c or as per local building code.

Toe nailing to ensure min. 1" penetration per member

For exterior walls requiring lateral support, spacing and nailing of blocking to be as per local building code.

FLOOR INSTALLATION DETAILS

Date: 04/10/15

Scale: NTS

Drawn by: NJM

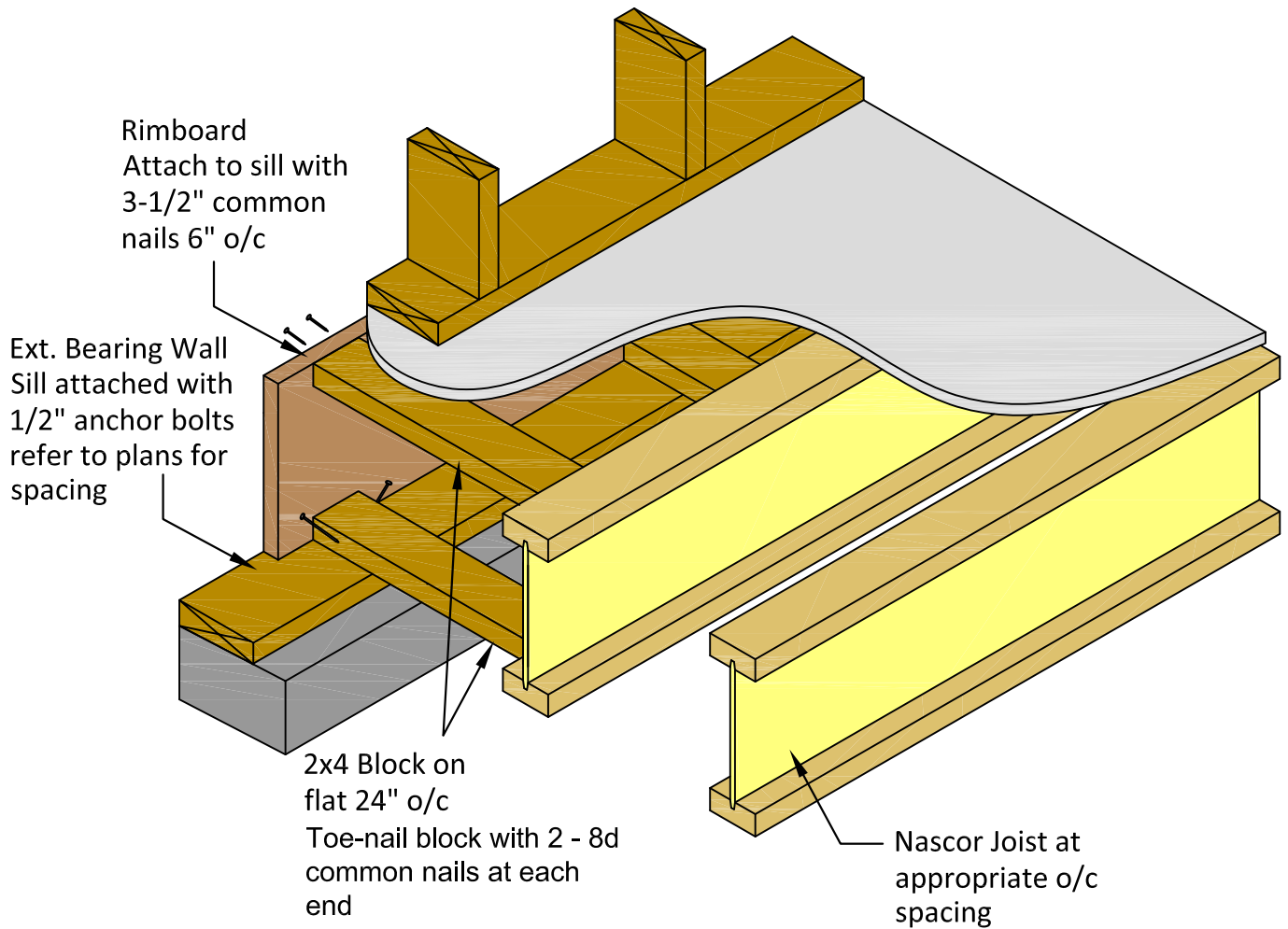
NASCOR

Box 11401, Station H, Nepean, ON K2H 7V1

Phone: 1.800.668.2365

Fax: 613.838.3714

# PARALLEL RIM W/ LATERAL BRACE



Note: Additional lateral bracing may be required to meet local building code

FLOOR INSTALLATION DETAILS

Date: 04/10/15

Scale: NTS

Drawn by: NJM

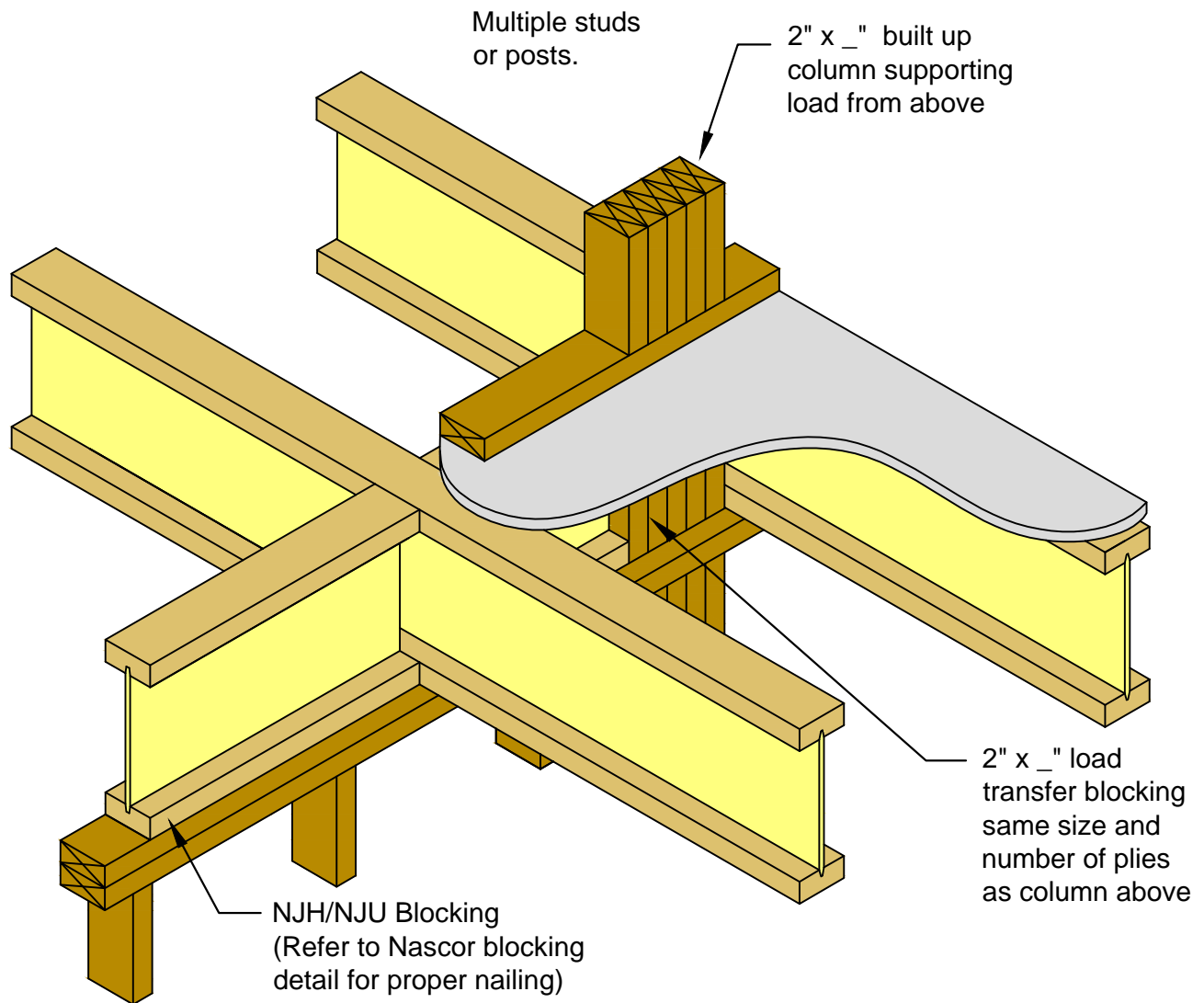
NASCOR

Box 11401, Station H, Nepean, ON K2H 7V1

Phone: 1.800.668.2365

Fax: 613.838.3714

## CONCENTRATED LOAD TRANSFER



### FLOOR INSTALLATION DETAILS

Date: 04/10/15

Scale: NTS

Drawn by: NJM

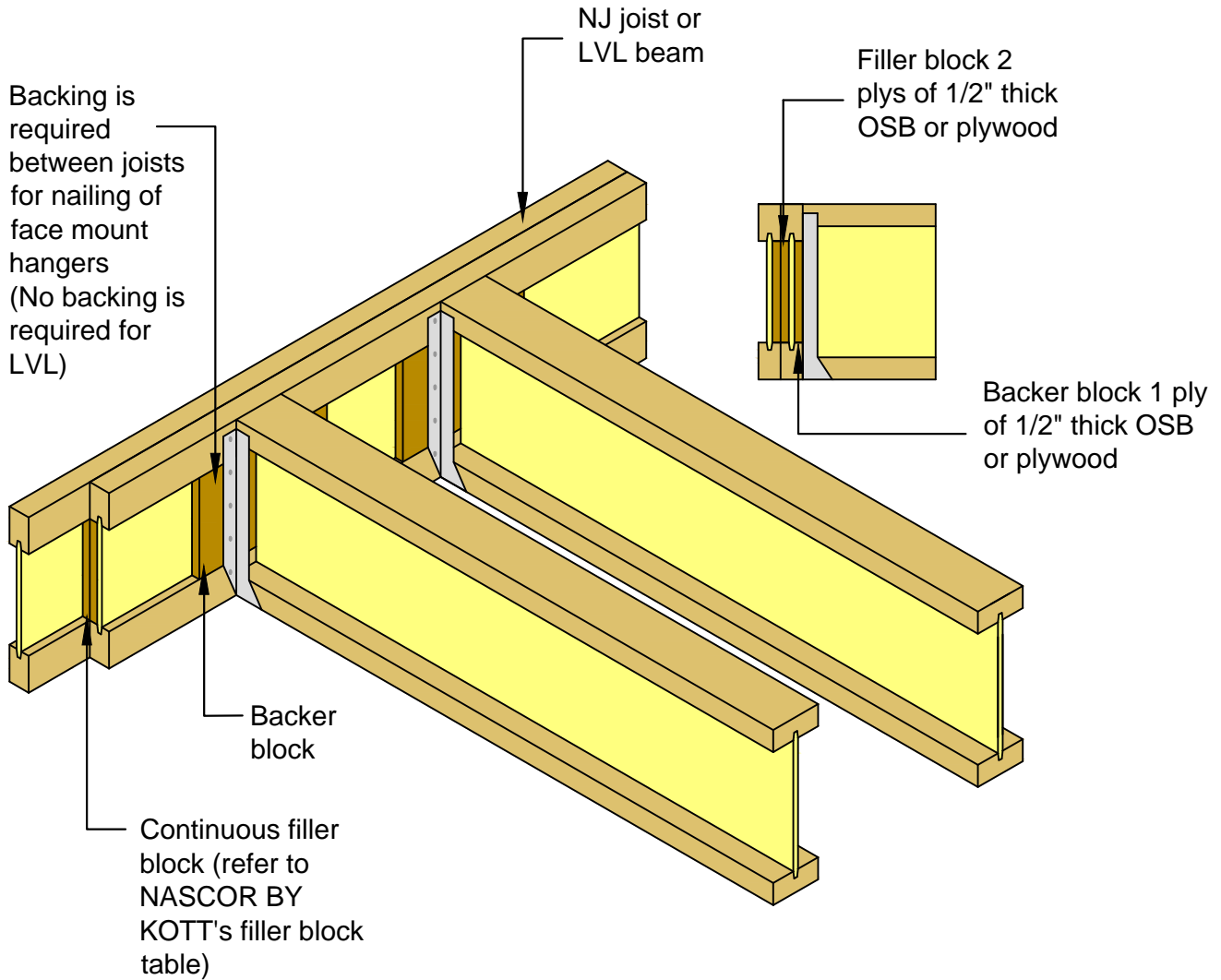
### NASCOR

Box 11401, Station H, Nepean, ON K2H 7V1

Phone: 1.800.668.2365

Fax: 613.838.3714

## FACE MOUNT HANGER (2-PLY NJ)



### BACKER & FILLER BLOCK REQUIREMENTS

JOIST TYPE	BACKER BLOCK DIMENSIONS		FILLER BLOCK DIMENSIONS	
	THICKNESS	DEPTH	THICKNESS	DEPTH
NJ10	1/2"	4 3/8"	1 1/8"	4 3/8"
NJ12	1 1/2"	6 3/4"	1 1/8"	6 3/4"

#### FLOOR INSTALLATION DETAILS

Date: 04/10/15

Scale: NTS

Drawn by: NJM

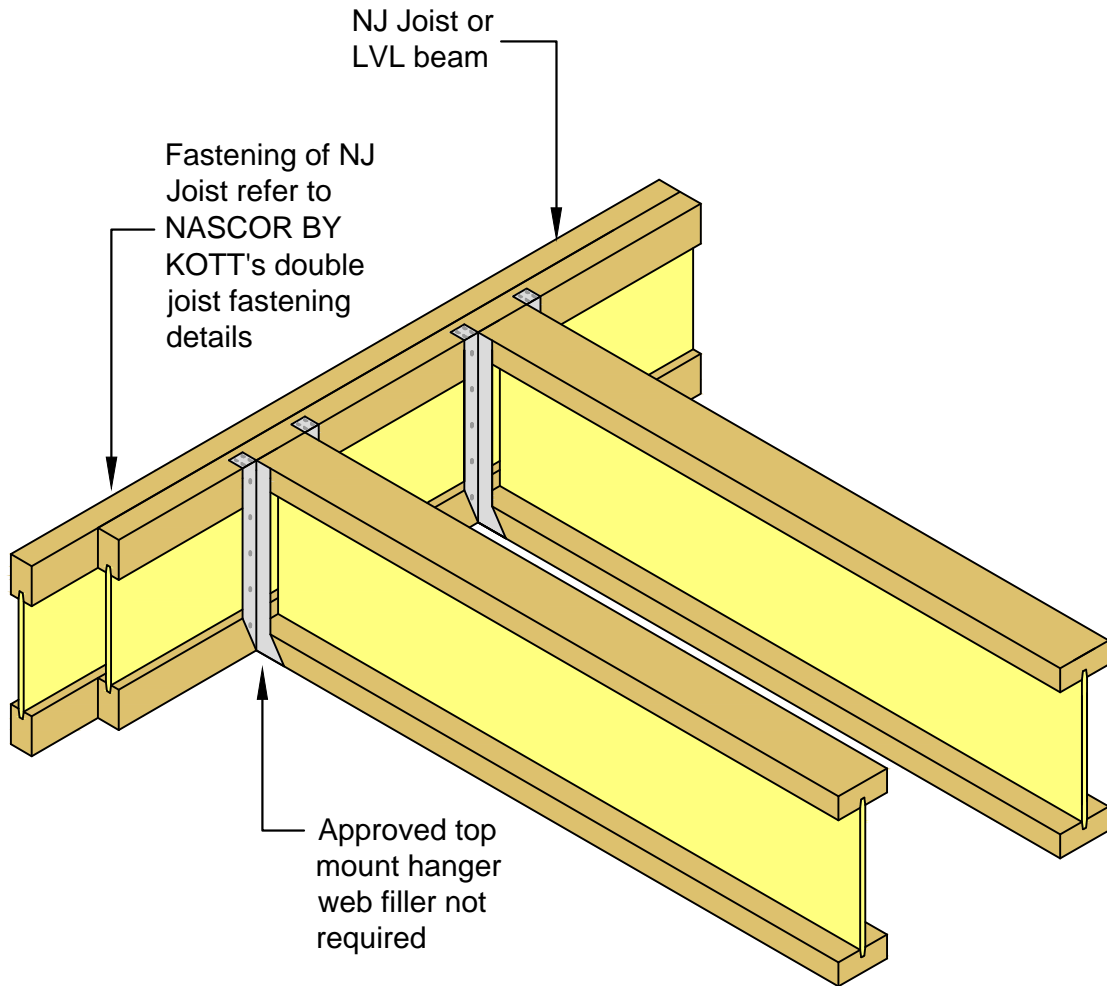
#### NASCOR

Box 11401, Station H, Nepean, ON K2H 7V1

Phone: 1.800.668.2365

Fax: 613.838.3714

# TOP MOUNT HANGER



Backer block required if total factored load exceed 360lbs.

FLOOR INSTALLATION DETAILS

Date: 04/10/15

Scale: NTS

Drawn by: NJM

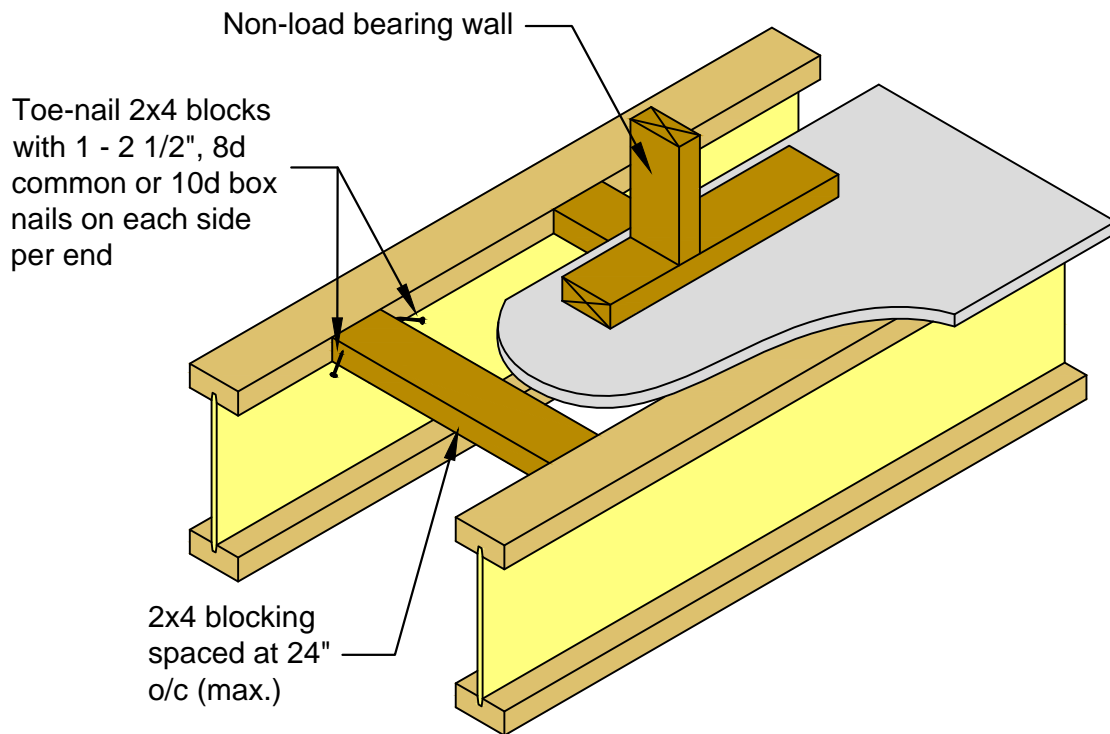
NASCOR

Box 11401, Station H, Nepean, ON K2H 7V1

Phone: 1.800.668.2365

Fax: 613.838.3714

## NON-LOAD BEARING WALL SUPPORT



Toe nailing to ensure min. 1" penetration per member

### FLOOR INSTALLATION DETAILS

Date: 04/10/15

Scale: NTS

Drawn by: NJM

NASCOR

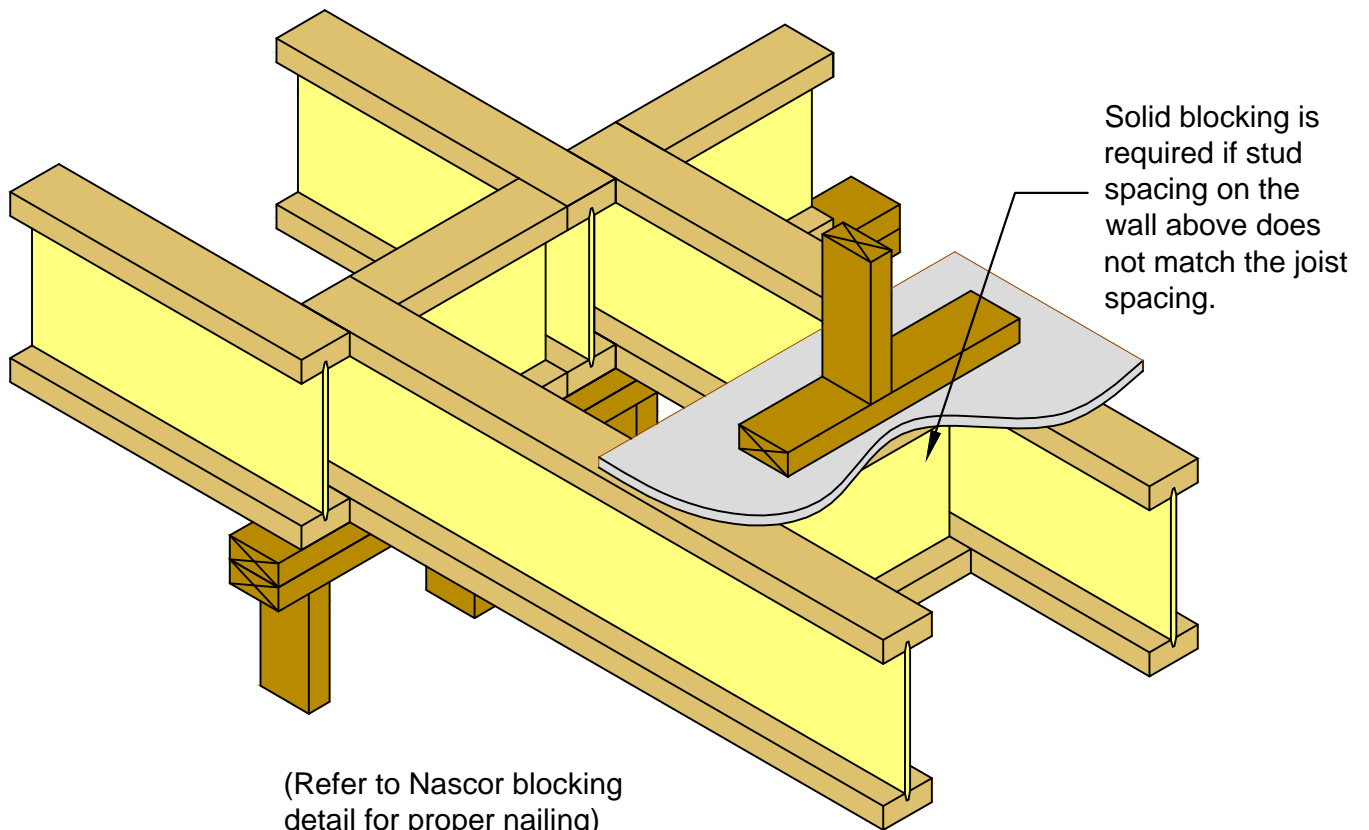
Box 11401, Station H, Nepean, ON K2H 7V1

Phone: 1.800.668.2365

Fax: 613.838.3714



## OFFSET BEARING WALL SUPPORT



Joists must be designed in order to carry upper floor walls that are offset from the walls below.

### FLOOR INSTALLATION DETAILS

Date: 04/10/15

Scale: NTS

Drawn by: NJM

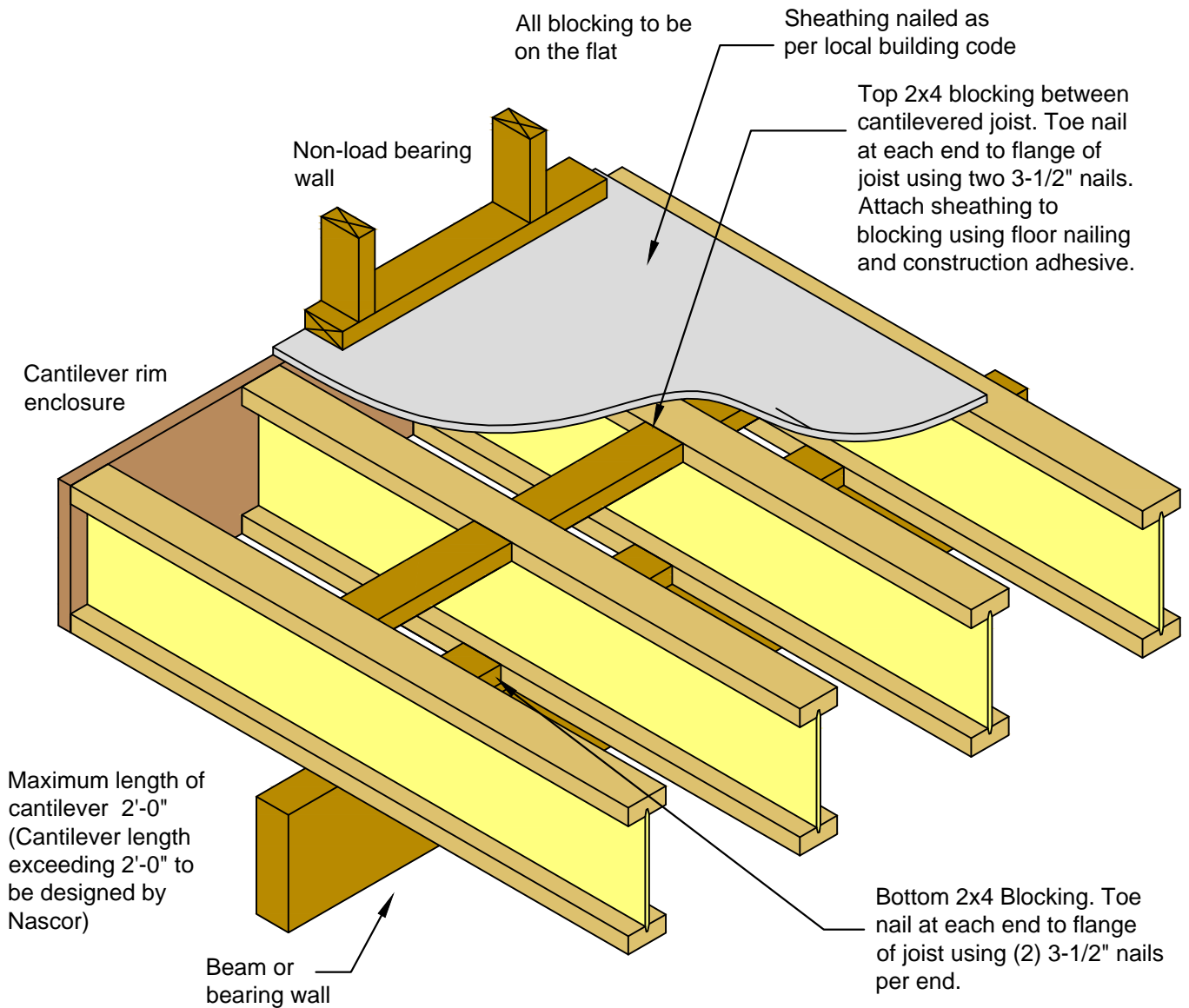
### NASCOR

Box 11401, Station H, Nepean, ON K2H 7V1

Phone: 1.800.668.2365

Fax: 613.838.3714

## NON-LOAD BEARING CANTILEVER



Joist type, size and spacing must conform to Nascor floor layout and calculation sheet of the cantilevered joist.

### FLOOR INSTALLATION DETAILS

Date: 04/10/15

Scale: NTS

Drawn by: NJM

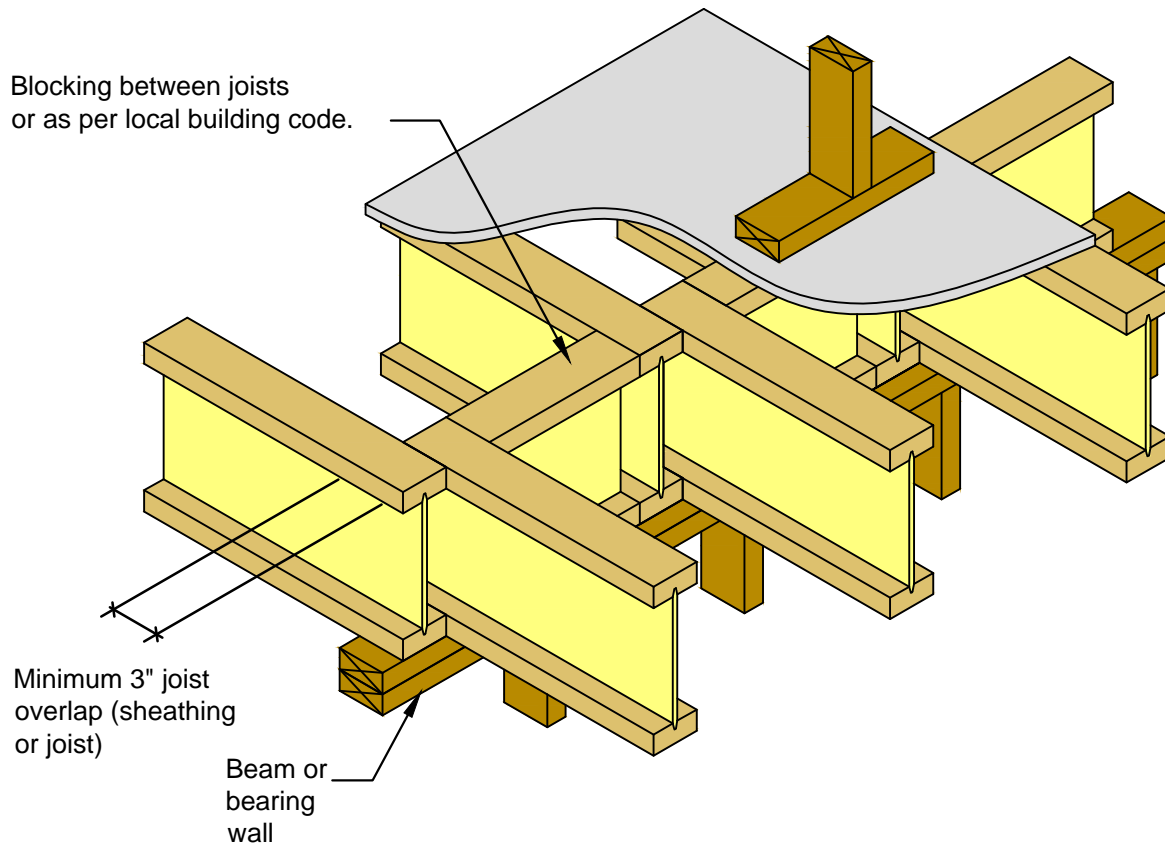
### NASCOR

Box 11401, Station H, Nepean, ON K2H 7V1

Phone: 1.800.668.2365

Fax: 613.838.3714

## CENTER BEARING



Joists must be designed in order to carry upper floor walls that are offset from the walls below.

### FLOOR INSTALLATION DETAILS

Date: 04/10/15

Scale: NTS

Drawn by: NJM

NASCOR

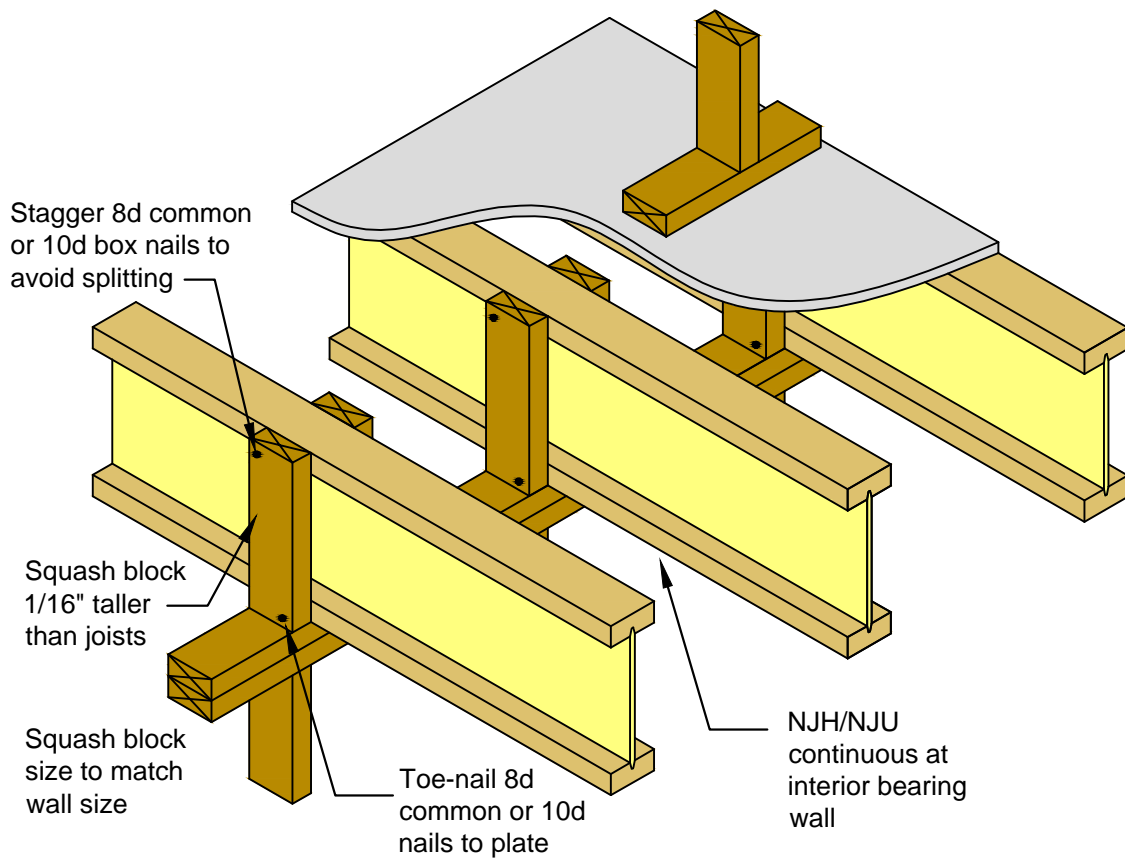
Box 11401, Station H, Nepean, ON K2H 7V1

Phone: 1.800.668.2365

Fax: 613.838.3714

## CENTER BEARING (SQUASH BLOCKS)

Load bearing walls must be aligned or stacked. Blocking panels may be required with shear wall or in high wind zones.



Toe nailing to ensure min. 1" penetration per member

FLOOR INSTALLATION DETAILS

Date: 04/10/15

Scale: NTS

Drawn by: NJM

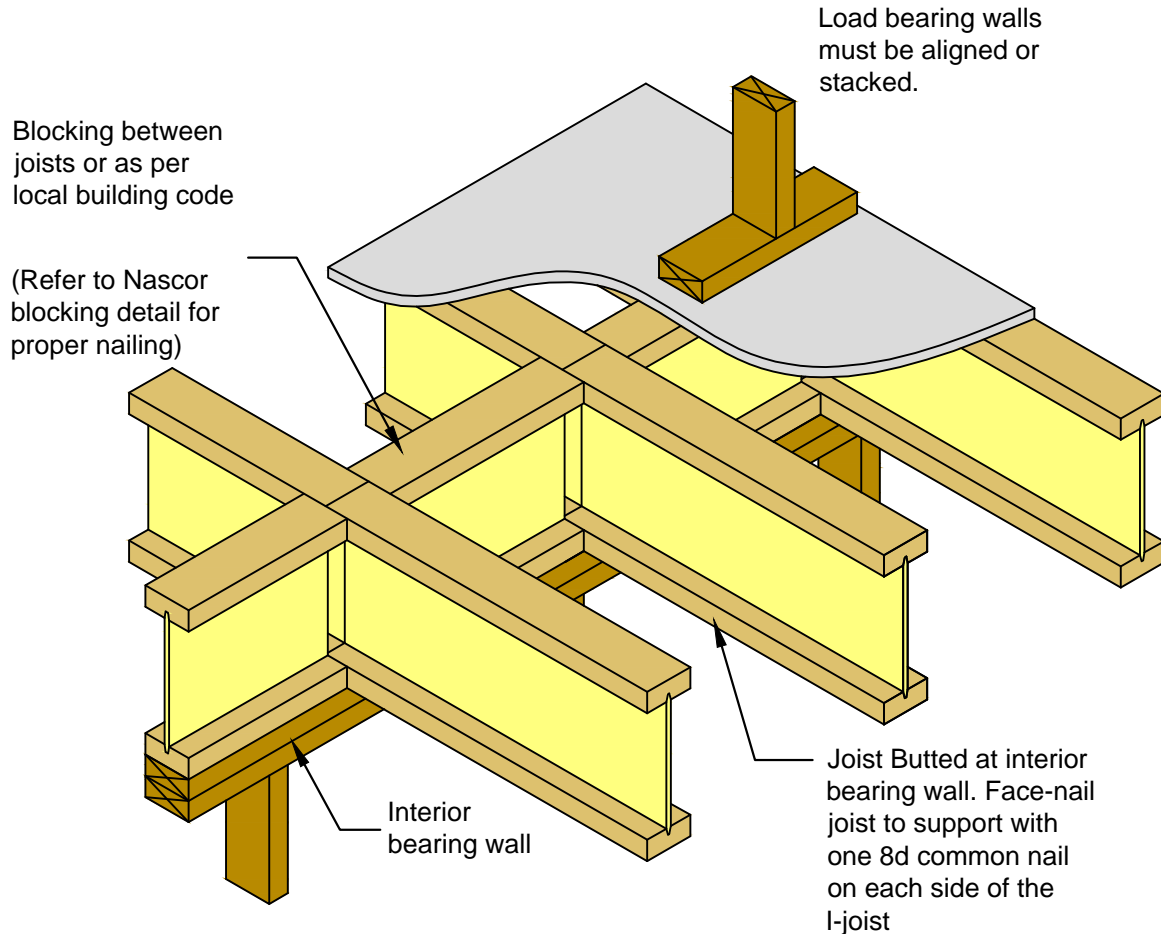
NASCOR

Box 11401, Station H, Nepean, ON K2H 7V1

Phone: 1.800.668.2365

Fax: 613.838.3714

## CENTER BEARING (BUTT JOIST)



Maximum load to be determined based on joist capacity. Refer to calculation sheet.

### FLOOR INSTALLATION DETAILS

Date: 04/10/15

Scale: NTS

Drawn by: NJM

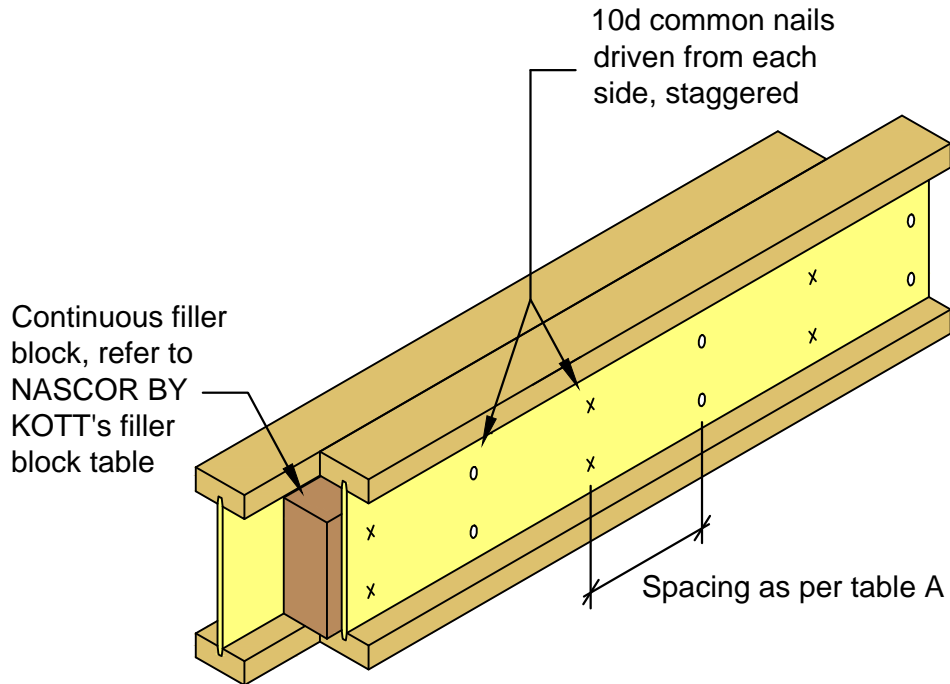
### NASCOR

Box 11401, Station H, Nepean, ON K2H 7V1

Phone: 1.800.668.2365

Fax: 613.838.3714

## MULTI-PLY JOIST FASTENING (TOP LOAD)



**TABLE A**

NAIL SPACING	ALLOWABLE SIDE LOADS
16" o/c	120 plf
12" o/c	180 plf
8" o/c	240 plf
6" o/c	320 plf

**BACKER & FILLER BLOCK REQUIREMENTS**

JOIST TYPE	BACKER BLOCK DIMENSIONS		FILLER BLOCK DIMENSIONS	
	THICKNESS	DEPTH	THICKNESS	DEPTH
NJH10	1"	6 <sup>3</sup> / <sub>8</sub> "	2 <sup>-1</sup> / <sub>8</sub> "	5 <sup>-1</sup> / <sub>2</sub> "
NJH12	1"	8 <sup>-3</sup> / <sub>4</sub> "	2 <sup>-3</sup> / <sub>8</sub> "	7 <sup>-1</sup> / <sub>4</sub> "
NJH14	1"	10 <sup>-7</sup> / <sub>8</sub> "	2 <sup>-3</sup> / <sub>8</sub> "	9 <sup>-1</sup> / <sub>4</sub> "
NJH16	1"	12 <sup>-7</sup> / <sub>8</sub> "	2 <sup>-3</sup> / <sub>8</sub> "	11 <sup>-1</sup> / <sub>4</sub> "
NJU10	1 <sup>-1</sup> / <sub>2</sub> "	6 <sup>-3</sup> / <sub>8</sub> "	3"	5 <sup>-1</sup> / <sub>2</sub> "
NJU12	1 <sup>-1</sup> / <sub>2</sub> "	8 <sup>-3</sup> / <sub>4</sub> "	3"	7 <sup>-1</sup> / <sub>4</sub> "
NJU14	1 <sup>-1</sup> / <sub>2</sub> "	10 <sup>-7</sup> / <sub>8</sub> "	3"	9 <sup>-1</sup> / <sub>4</sub> "
NJU16	1 <sup>-1</sup> / <sub>2</sub> "	12 <sup>-7</sup> / <sub>8</sub> "	3"	11 <sup>-1</sup> / <sub>4</sub> "

FLOOR INSTALLATION DETAILS

Date: 04/10/15

Scale: NTS

Drawn by: NJM

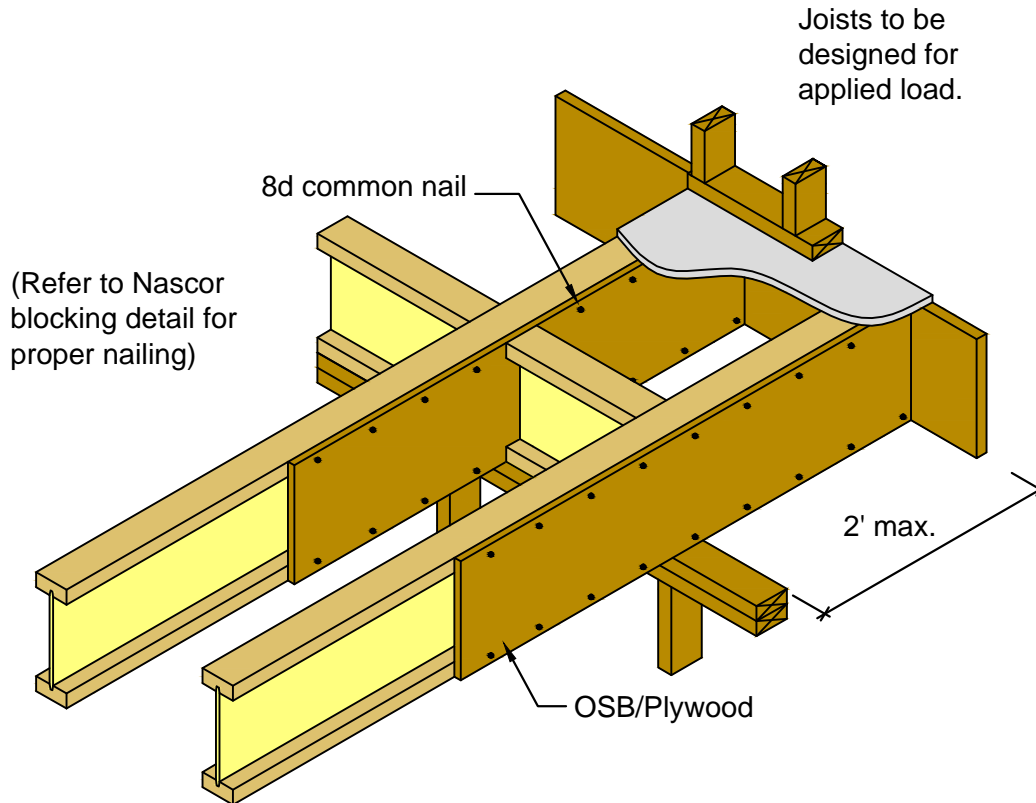
NASCOR

Box 11401, Station H, Nepean, ON K2H 7V1

Phone: 1.800.668.2365

Fax: 613.838.3714

## CANTILEVER REINFORCEMENT (ONE SIDE)



3/4" OSB/plywood min. 48" long attached with two rows of 8d common nails at 6" o/c to one side of the joist. OSB/plywood must be cut along the 8' length.

**For cantilever length, applied loads, plywood size and length and nailing requirement, refer to Nascor reinforcement chart and also to calculation sheet for cantilever length, applied loads, plywood size and length and nailing requirement.**

FLOOR INSTALLATION DETAILS

Date: 04/10/15

Scale: NTS

Drawn by: NJM

NASCOR

Box 11401, Station H, Nepean, ON K2H 7V1

Phone: 1.800.668.2365

Fax: 613.838.3714